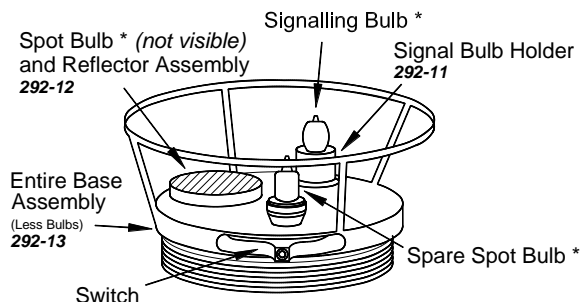


# USER INSTRUCTION GUIDE FOR 292 TRAINMAN'S LANTERN



\* **Several bulbs are available for use as the Spot or Signal Bulb in your light**

## For Use with Standard Batteries

2073-PR13 *Incandescent*  
2073-HPR50 *Halogen*  
2073-KPR113 *Krypton*  
2073-PR1W-W *LED*

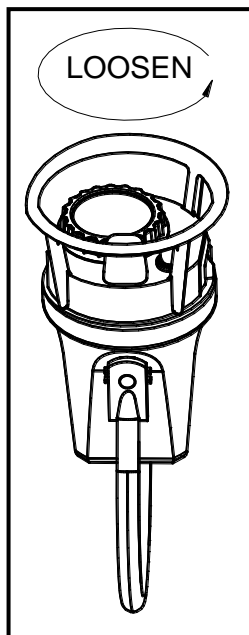
## For Use with Rechargeable

2073-PR12 *Incandescent*  
2073-HPR40 *Halogen*  
2073-PR1W-W *LED*

1. Please read **all** of the following instructions before operating your new Starlite 292. This instruction sheet applies *only* to the Model 292.
2. There are several design changes in the new Model 292. Specifically, these changes include a new lens and reflector assembly. These modifications have greatly improved the optics capabilities of the Trainmen Lanterns, making them much brighter and providing better light dispersion patterns. In addition, the new advanced design will minimize downtime when changing bulbs. Furthermore, we now install an "O"-ring on the spot and signal bulb holders to help prevent moisture from entering the base, extending the life of your lantern.

## Battery Replacement

1. The Model 292 uses a standard 6 Volt spring terminal lantern battery.
2. Hold the lantern firmly in one hand with the handle facing downward and the base facing upward.
3. Using the other hand carefully unscrew the head in a counterclockwise motion and lift it straight off. Remove the battery and replace it.
4. Reinstall the base.



## Bulb Replacement

**CAUTION:** Use cotton gloves when handling the glass portion of the halogen bulbs. Skin contact can adversely affect the bulb life.

Use of the wrong bulbs in the 292 may result in reduced bulb performance, damage to the bulb, and/or damage to the lantern itself. To maximize bulb and battery life Star recommends the use of only the bulbs listed on the reverse side of this sheet.

1. Hold the lantern firmly in one hand with the handle facing downward and the base facing upward.
2. Turn the spot bulb and reflector assembly approximately ¼ turn counterclockwise and lift it straight off, exposing the bulb.
3. Remove the bulb by gently lifting it straight out of the spring. **CAUTION:** Do not tug at the bulb!!! If it does not easily lift straight out of the spring, carefully turn the bulb in a clockwise motion and try again. Reinstall the replacement bulb by setting it inside the spring.
4. Reinstall the spot bulb bezel by aligning both the bulb with the hole in the reflector and by aligning the latch nibs on the bulb bezel with the slots on the surface of the base. Complete the installation by turning the spot bulb and reflector assembly approximately ¼ turn clockwise to lock it securely in place.  
**CAUTION :** Do not over tighten. This may result in damage to the base and/or the bezel.
5. The signaling bulb is replaced using the same steps as the spot bulb.

**NOTE:** Be sure to label and place your non-working bulb back into the spare bulb socket as to prevent moisture and contaminates from entering the inside of your lantern.

CAUTION !!

- Batteries contain corrosive material. Users should exercise caution when handling.**
- Lanterns must be regularly inspected and replaced if damaged or malfunctioning.**
- Damage due to battery leakage is not covered under warranty. The potential for battery leakage is significantly increased if the battery is subject to deep discharging.**
- Star recommends storing the lantern such that the battery springs are upright.**

If you have any questions concerning this or any other Star product, please contact our Customer Service Department at (585) 226-6978.



**STAR**  
Safety Technologies by *Grote*  
www.StarSafetyTechnologies.com

455 Rochester Street Avon, NY 14414  
585-226-9500 (F) 888-478-2797